



Ned
pendant



by **troy backhouse**

The Kelly Gang Lighting Collection Of all the icons in Australian history, to many none are more dramatic than the helmets of the Kelly gang! The Kelly gang lighting collection is a contemporary series of tubular sculptural lights inspired by the forms of those helmets. The lights are laser cut from extruded aluminium tube with a satin powder-coated outer finish and an anodised or powder-coated inner finish. The Kelly gang lights emit a soft, warm light through the slotted visor with a more abundant warm glow flowing from the bottom which will reflect the interior gold or other colours, enhancing the contrast against the matt black exterior.

Bushrangers, folk heroes or revolutionaries, the exploits of the Kelly gang increasingly attract world attention.

materials

powder coated and or anodised extruded aluminium

weight

approximately 4.5kg

manufactured

in Australia

leadtime

6-8 weeks (if no stock is available)

voltage and Maximum Wattage

240V / 60W

standard fixtures

- 1 x black ceiling rose
- 2 meters of cord 3 Core cloth covered Flex (black or gold)
- 1 x brass or bronze threaded Lampholder Edison E27 fitting
- 1 x 240V / 11W energy saving globe

Warning



Installation

- Electricity can be dangerous.
- For your safety, it must be installed by a qualified electrician
- Ceiling rose must be fixed to a weight bearing ceiling point
- The lighting is for use in a normal dry domestic environment

available colours

black & gold



Ned

all gold



Joe

all black

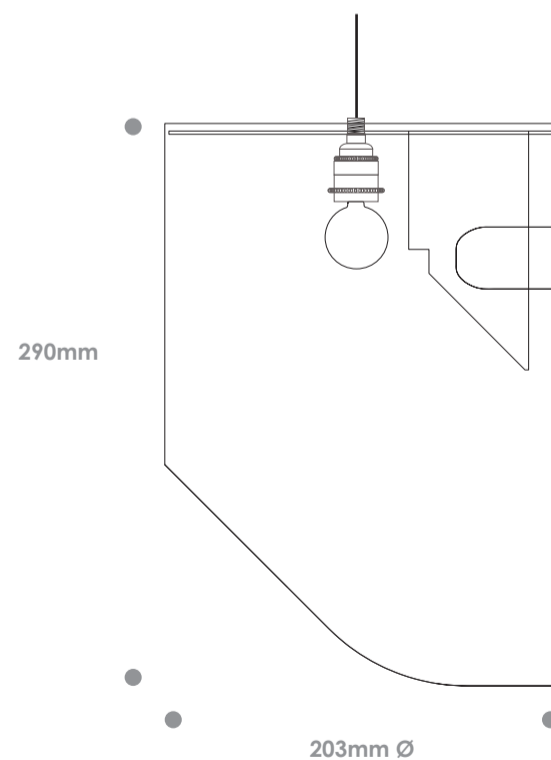


Dan

all silver



Steve



made in Australia

hand-crafted components



email: info@tbacdesign.com
www.tbacdesign.com